

# PANDIA

## Cable transducer



Cable transducer suitable for industrial applications needing measurement of linear positions. Sturdy, reliable, featuring a compact-sized design, it is studied to offer a variety of mounting solutions, even in small spaces.

### FEATURES

- Configuration by means of 4 function key menu.
- Analog and, on request, redundant digital versions available.
- Available with 3 holes to drain water.
- IP protection degree: Pandia is classified IP 65 / IP 67 / IP 69K.
- Extreme temperature resistance: from -25°C to +85°C.
- Featuring a sturdy case in technopolymer and equipped with a robust stainless steel measuring wire, the cable transducer Pandia guarantees an exceptionally long, maintenance-free service life even in harsh conditions.
- All materials and components used are wear resistant and guarantee protections against water and dust.

### OPTIONS

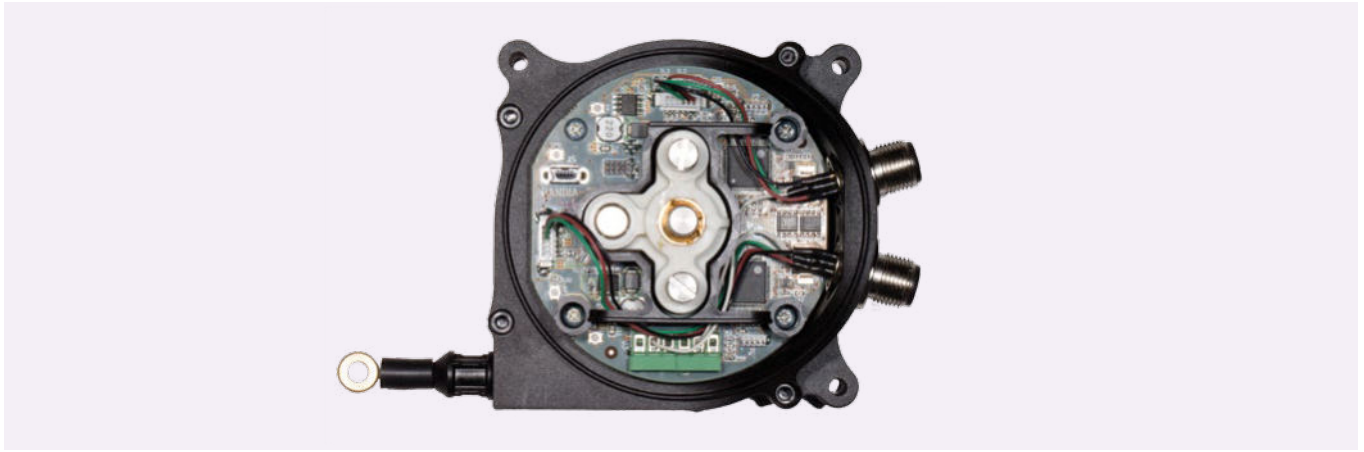
- Available in two versions with measuring wire ranging up to 3 m or 5 m.
- Four different configurations available: with **4...20 mA** normal or redundant analog interface, with **CAN-bus** normal or redundant digital interface.
- 4 configurable relay outputs.

### CERTIFICATIONS

- CE marking (pending).

*Fill in the "request form" to configure properly the product.*

## INTERNAL VIEW



## CERTIFICATIONS

Conformity to Community Directives	2014/35/UE Low Voltage Directive
	2014/30/UE Electromagnetic Compatibility (EMC) Directive
	2006/42/CE Machinery Directive
Conformity to CE Standards	EN 60204-1 Safety of machinery - Electrical equipment of machines
	EN 60947-1 Low-voltage switchgear and controlgear
	EN 60947-5-1 Low-voltage switchgear and controlgear - Control circuit devices and switching elements - Electromechanical control circuit devices
	EN 60529 Degrees of protection provided by enclosures
	EN 61326-1 Electrical equipment for measurement, control and laboratory use - EMC requirements - General requirements
Markings and homologations	EN 61326-2-3 Electrical equipment for measurement, control and laboratory use - EMC requirements - Particular requirements - Test configurations, operational conditions and performance criteria for transducers with integrated or remote signal conditioning
	CE pending

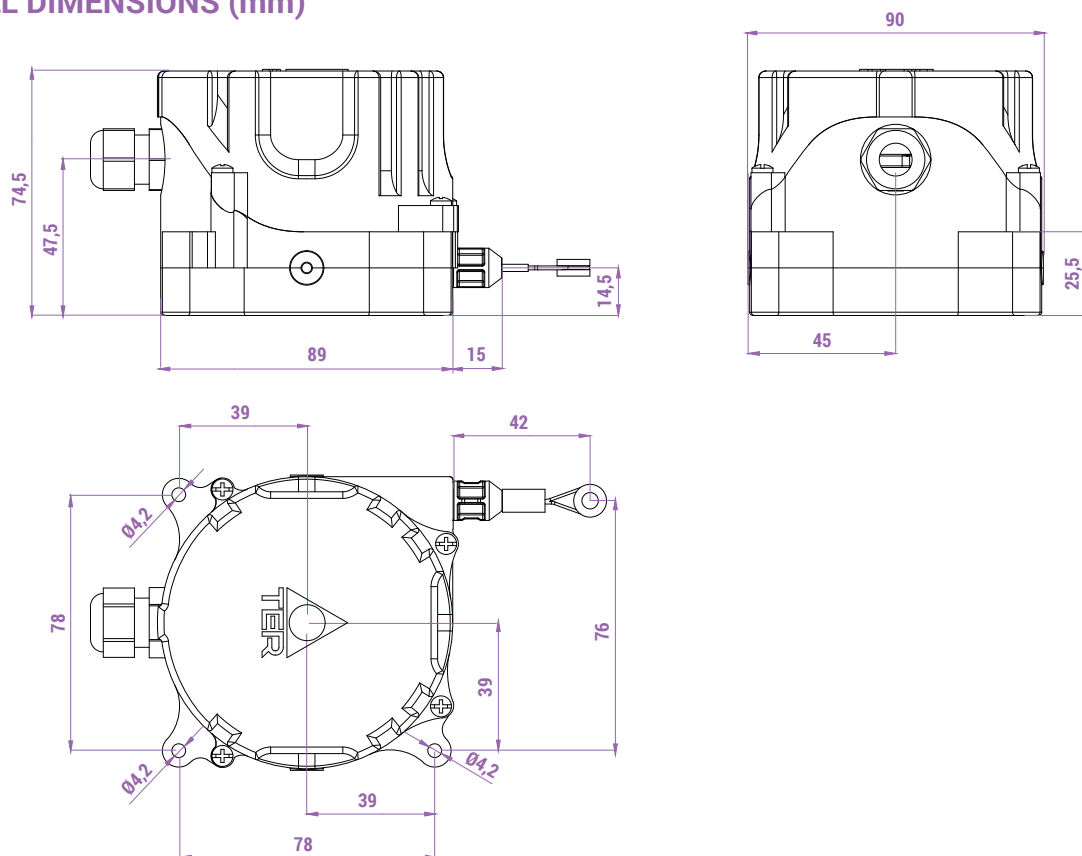
## GENERAL TECHNICAL SPECIFICATIONS

Ambient temperature	Storage -25°C/+85°C
	Operational -25°C/+85°C
IP protection degree	IP 65 / IP 67 / IP 69K
Measuring range	3000 mm
	5000 mm
Pull-out force	5.5 N max.
Measurement method	Magnetic
Max. speed	3 m/s
Weight	420 g

## ELECTRICAL SPECIFICATIONS

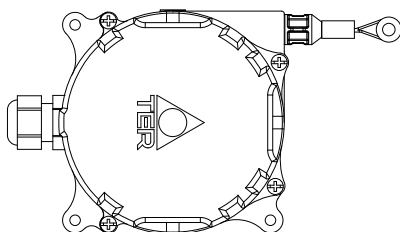
Interface	Analog 4...20 mA	Redundant analog 4...20 mA	Digital CAN-bus	Redundant digital CAN-bus
Channel	Single	Double with cross check	Single	Double with cross check
Power supply	12...30 Vdc			
Max. consumption	50 mA	80 mA	50 mA	80 mA
Resolution	12 bit			
Accuracy	± 0.5%			
Linearity	± 0.25%			
Relay output	4 relays 1 A / 125 Vac	2 relays for 2 I/O safety lines	/	2 relays for 2 I/O safety lines
Connections	Cable gland M16	2 connectors M12 5 PIN	Connector M12 5 PIN	2 connectors M12 5 PIN

## OVERALL DIMENSIONS (mm)

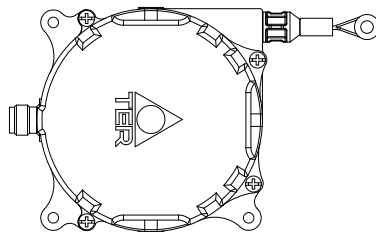


## CABLE GLAND OR CONNECTOR OUTPUT POSITION

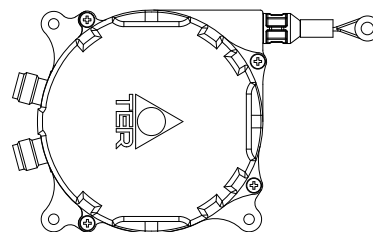
Pandia with analog interface with 4 relays



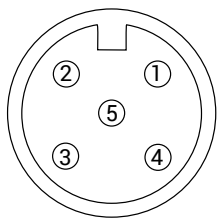
Pandia with digital interface or with analog interface without relays



Redundant Pandia with analog or digital interface



## 5 PIN MALE CONNECTOR ASSIGNMENT



PIN	Signal	Description
1	+Vs	Supply voltage
2	IOut 1 / CAN-L	Output 1
3	IOut 2 / CAN-H	Output 2
4	GND - 0 V	Supply voltage
5	/	

