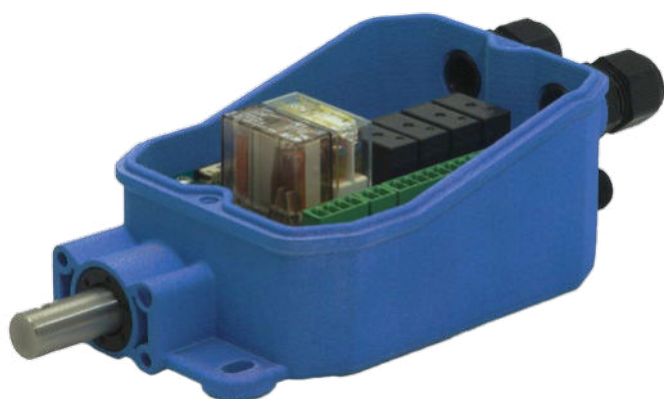


ATLANTE EVO

Electronic limit switch



Compact electronic limit switch, equipped with 6 relays emulating up to 6 cams. It is used in a variety of industrial sectors, from automation to industrial handling machines and intralogistics.

FEATURES

- Atlante Evo is a high resolution multi-turn absolute magnetic encoder (28 bit overall resolution), equipped with 6 relays, emulating 6 cams.
- Configuration through PC interface or App (coming soon).
- Single turn measuring resolution guaranteed by 4096 points per revolution (12 bit) with accuracy lower than +/- 0,5%.
- Multiturn resolution: 16 bit (65535 revolutions).
- IP protection degree: Atlante Evo is classified IP 42 (without cover) or IP 65.
- Extreme temperature resistance: from -25°C to +80°C.
- Featuring technopolymer housing (nylon) and non-magnetic stainless steel AISI 303 shaft.
- High quality materials and components guarantee long mechanical life, precision and repeat accuracy even in extreme conditions.

OPTIONS

- It is fully compatible and it can be integrated in systems mounting rotary limit switch Fox.
- Equipped with 6 relays 60/125 V, 3/10 A (two 10A relays with safety function), NC or NO.
- Featuring Bus standard RS-485 output, CAN bus (coming soon).
- Configurable by PC configurator (Windows) or by Bluetooth through mobile application (coming soon).
- Featuring protection against polarity reversal and short circuit.
- Dedicated cable glands or connectors.
- Available with flanges, pinion gears and couplings.
- Plates with universal adapters to replace existing systems.

CERTIFICATIONS

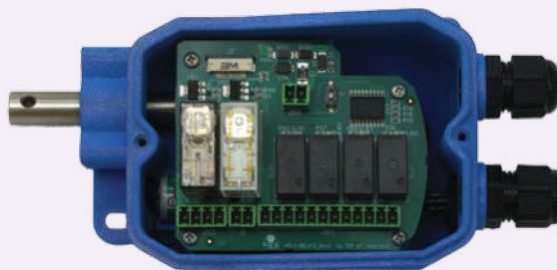
- CE marking.
- Complying with accident prevention regulation BGV C1 (only for Germany).

Fill in the "request form" to configure properly the product.

Atlante EVO



Vista interna



CERTIFICATIONS

Conformity to Community Directives	2014/30/UE Electromagnetic Compatibility (EMC) Directive
	2006/42/CE Machinery Directive
	2014/35/UE Low Voltage Directive (LVD)
Conformity to CE Standards	EN 61326-1 Electrical equipment for measurement, control and laboratory use - EMC requirements
	EN 60529 Degrees of protection provided by enclosures
BGV C 1	Regulations for the prevention of accidents BGV C 1 (only for Germany)
Markings and homologations	CE

GENERAL TECHNICAL SPECIFICATIONS

Ambient temperature	Storage -25°C/+80°C
	Operational -25°C/+80°C
IP protection degree	IP 42 (without cover)
	IP 65
Insulation category	Class II
Maximum rotation speed	800 rpm
Connections	2 cable glands M20 and male connector M12 8 PIN

ELECTRICAL SPECIFICATIONS

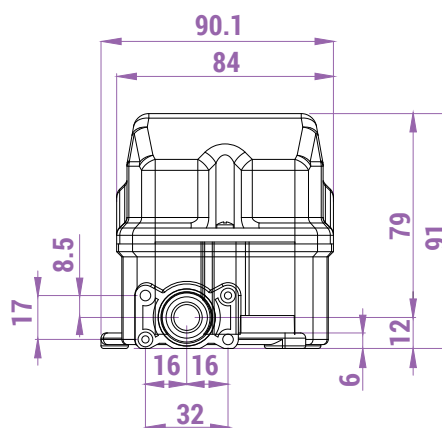
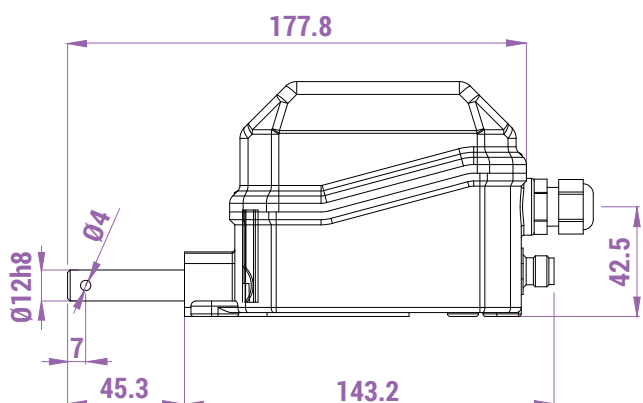
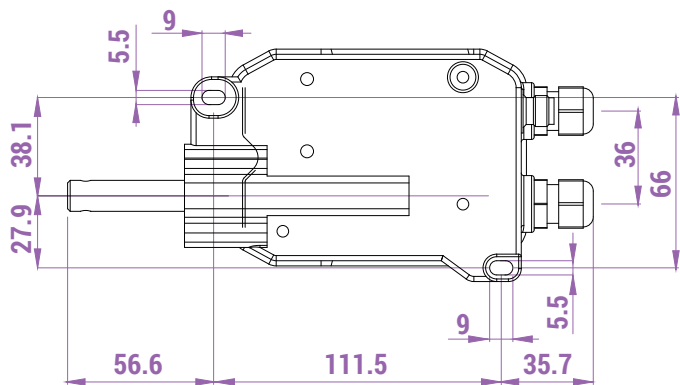
Power supply	24 Vdc +/-20%
Consumption	240 mA max
Interface	Bus RS-485
	CAN bus (coming soon)
	Bluetooth (coming soon)
Single-turn resolution	12 bit (4096 points per revolution)
Multi-turn resolution	16 bit (65535 revolutions)
Accuracy	±0.5%
Linearity	±0.25%
Protection against over-voltage and reverse polarity	Yes
Relays	6 relays 60/125 V, 3/10 A (two 10A relays with safety function), NC or NO.

MALE CONNECTOR SPECIFICATIONS

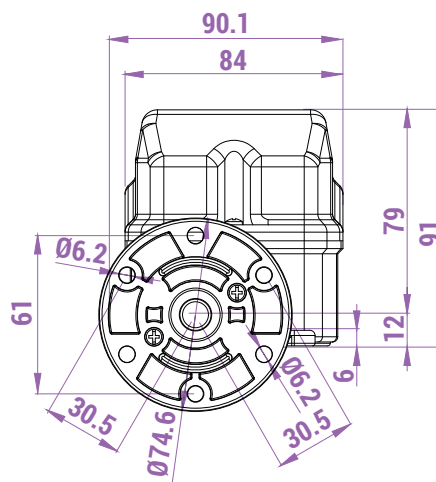
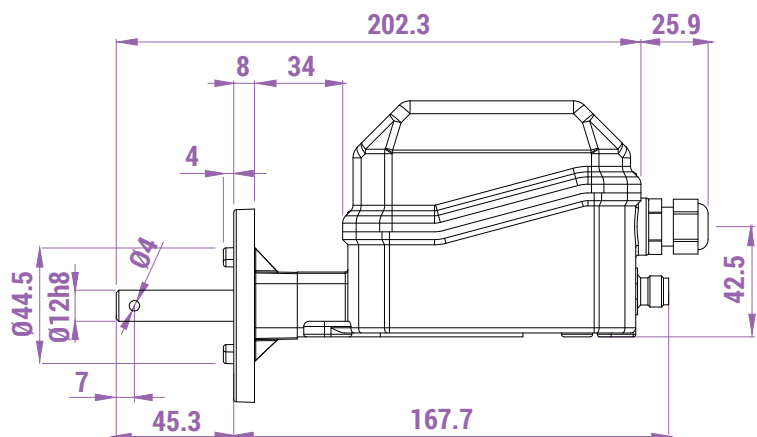
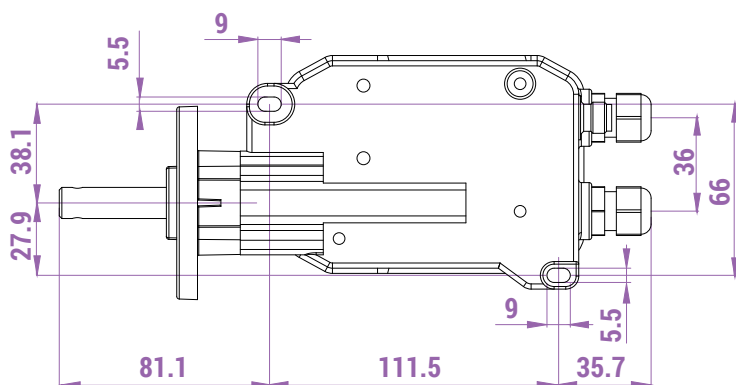
Number of PINs	8
Insulation resistance	500 V
Maximum voltage	24 V

OVERALL DIMENSIONS (mm)

Standard



With flange



ATLANTE EVO - REQUEST FORM FOR ELECTRONIC LIMIT SWITCH

Instructions

- 1 Protection degree:** tick the required protection degree.
- 2 Version:** tick the required version.
- 3 Shaft:** tick the shaft type required.
Customized shafts are available on request.
- 4 Coupling, flange, pinion gear:** tick the box when coupling, flange or pinion gear are required.
When a standard pinion gear is required, write the code number listed in the pinion gear tables in the catalogue.
When a special pinion gear is required, write the number of teeth, the module and the primitive diameter.

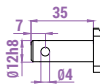
Protection degree **1**

- IP 42 (without cover)
- IP 65

Version **2**

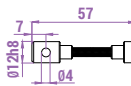
- With 6 relays emulating cam functions.
- With 4 relays emulating cam functions + 2 relays 10A with safety function.

Standard shaft **3**



- Stainless steel AISI 430F shaft
- High resistance stainless steel AISI 303 shaft

Flexible shaft



- Stainless steel AISI 430F shaft
- High resistance stainless steel AISI 303 shaft

- Male coupling
- Female coupling
- Pinion gear
- Coupling **4**
- Flange

Pinion gear code _____

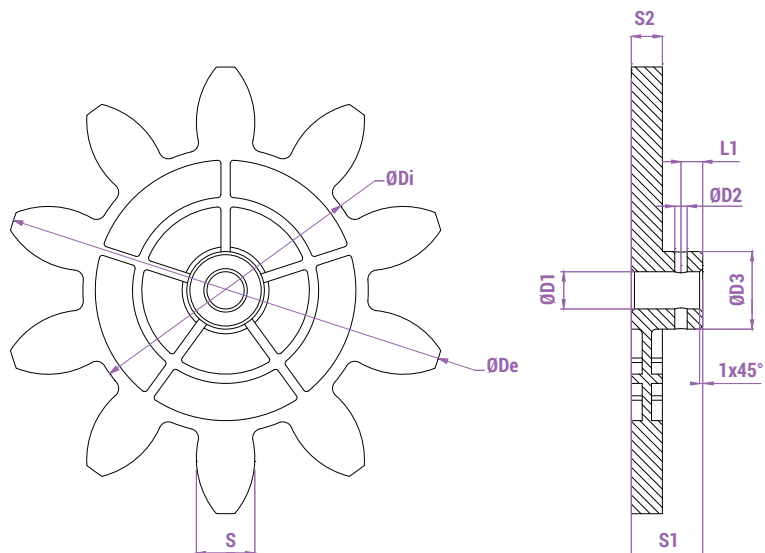
Customized pinion gear

No. of teeth _____

Module _____

Primitive diameter _____

Remarks



Legend

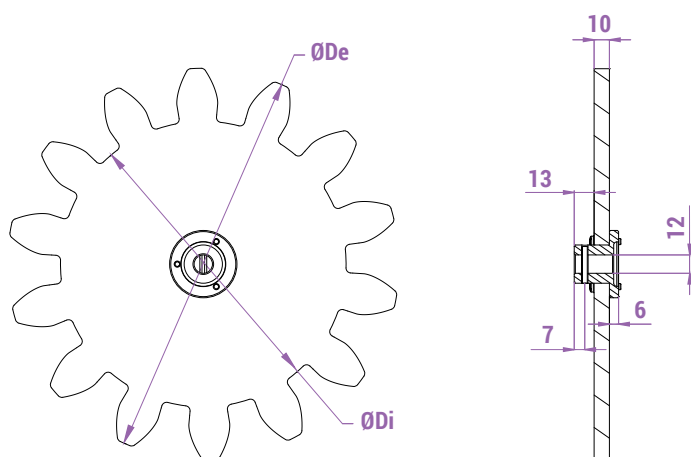
Z	Number of teeth
M	Module
Dp	Primitive diameter
De	External diameter
Di	Internal diameter
a	Addendum
d	Dedendum
Alpha	Pressure angle

Code	Z	M	Dp	De	Di	a	d	S	Alpha	D1	D2	D3	S1	S2	L1
PRSL0915PI	8	20.00	160.00	200.00	113.20	20.00	23.40	31.41	20.00	12.00	4.00	24.00	23.00	10.00	7.00
PRSL0912PI	10	12.00	120.00	144.00	92.00	12.00	14.00	18.85	20.00	12.00	4.00	25.00	23.00	10.00	7.00
PRSL0913PI	10	14.00	140.00	168.00	107.24	14.00	16.38	21.99	20.00	12.00	4.00	24.60	23.00	10.00	7.00
PRSL0914PI	10	16.00	160.00	192.00	122.67	16.00	18.67	25.13	20.00	12.00	4.00	24.00	23.00	10.00	7.00
PRSL0917PI	11	6.00	66.00	78.00	51.96	6.00	7.02	9.42	20.00	12.00	4.00	19.00	23.00	8.00	7.00
PRSL0916PI	12	5.00	60.00	70.00	48.30	5.00	5.83	7.85	20.00	12.00	4.00	20.00	23.00	8.00	7.00
PRSL0918PI	12	8.00	96.00	112.00	77.28	8.00	9.36	12.56	20.00	12.00	3.90	21.50	23.50	10.00	7.00
PRSL0911PI	12	10.00	120.00	140.00	96.67	10.00	11.67	15.71	20.00	12.00	4.00	25.00	23.50	10.00	7.00
PRSL0944PI	12	12.00	144.00	168.00	116.00	12.00	14.00	18.85	20.00	12.00	4.00	24.00	23.00	10.00	7.00

Measuring unit: mm.

Waterjet cut pinion gears

3



Legend

Z	Number of teeth
M	Module
Dp	Primitive diameter
De	External diameter
Di	Internal diameter
a	Addendum
d	Dedendum
Alpha	Pressure angle

Code	Z	M	Dp	De	Di	a	d	Alpha
PRSL0857PI	8	18.00	144.00	180.00	102.00	18.00	21.00	20.00
PRSL0855PI	8	24.00	192.00	240.00	136.00	24.00	28.00	20.00
PRSL0992PI	9	10.00	90.00	110.00	66.67	10.00	11.67	20.00
PRSL0879PI	9	16.00	144.00	176.00	106.67	16.00	18.67	20.00
PRSL0854PI	9	18.00	162.00	198.00	120.00	18.00	21.00	20.00
PRSL0871PI	9	20.00	180.00	220.00	133.33	20.00	23.33	20.00
PRSL0849PI	9	24.00	216.00	264.00	160.00	24.00	28.00	20.00
PRSL0846PI	10	10.00	100.00	120.00	76.67	10.00	11.67	20.00
PRSL0993PI	10	18.00	180.00	216.00	138.00	18.00	21.00	20.00
PRSL0970PI	10	22.00	220.00	264.00	168.52	22.00	25.74	20.00
PRSL0856PI	10	24.00	240.00	288.00	184.00	24.00	28.00	20.00
PRSL0861PI	11	12.00	132.00	156.00	104.00	12.00	14.00	20.00
PRSL0998PI	11	18.00	198.00	234.00	156.00	18.00	21.00	20.00
PRSL0997PI	11	20.00	220.00	260.00	173.36	20.00	23.32	20.00
PRSL0859PI	11	24.00	264.00	312.00	204.00	24.00	30.00	20.00
PRSL0863PI	12	14.00	168.00	196.00	133.00	14.00	17.50	20.00
PRSL0897PI	12	16.00	192.00	224.00	154.67	16.00	18.67	20.00
PRSL0972PI	12	18.00	216.00	252.00	173.88	18.00	21.06	20.00
PRSL0845PI	12	20.00	240.00	280.00	193.34	20.00	23.32	20.00
PRSL0878PI	12	24.00	288.00	336.00	232.00	24.00	28.00	20.00
PRSL0860PI	13	6.00	78.00	90.00	63.00	6.00	7.50	20.00
PRSL0853PI	13	12.00	156.00	178.59	126.00	11.29	15.00	20.00
PRSL0898PI	13	16.00	208.00	240.00	170.67	16.00	18.66	20.00
PRSL0862PI	14	10.00	140.00	169.00	125.00	15.00	7.50	20.00
PRSL0896PI	14	16.00	224.00	256.00	186.67	16.00	18.67	20.00
PRSL0999PI	14	18.00	252.00	288.00	210.00	18.00	21.00	20.00
PRSL0848PI	14	20.00	280.00	320.00	233.33	20.00	23.33	20.00
PRSL0858PI	15	18.00	270.00	306.00	228.00	18.00	21.00	20.00
PRSL0847PI	16	20.00	320.00	360.00	273.33	20.00	23.33	20.00
PRSL0973PI	17	10.00	170.00	190.00	145.00	10.00	12.50	22.89
PRSL0974PI	17	14.00	238.00	266.00	203.00	14.00	17.50	22.89
PRSL0851PI	20	6.00	120.00	132.00	105.00	6.00	7.50	22.89
PRSL0844PI	25	1.00	25.00	27.00	22.50	1.00	1.25	22.89

Measuring unit: mm.