

Explosion proof pendant control station for auxiliary control. Sturdy, reliable and handy, Mike-X is designed for heavy industry in potentially explosive areas.

FEATURES

- Pendant control station for use in industrial areas and potentially explosive locations for ATEX and IECEx zones 1, 2, 21, 22.
- Reduced installation and wiring time and costs: the internal space is optimized for easy and quick wiring.
- IP protection degree: Mike-X is classified IP 65.
- Extreme temperature resistance: -20°C to +60°C and -50° C to +60°C only for EAC certified versions.
- Solid but light weight enclosure made of powder epoxy painted aluminum, resistant to temperature changes.
- All materials and components used are shock and wear resistant and guarantee protection of the unit against water, dust and oils.

OPTIONS


- Available in configurations with 4 to 16 actuators.
- 1 or 2 speed switches with NO or NC contacts.
- Mechanical interlock to prevent simultaneous operation of opposite functions.
- Connecting bridges to reduce wiring time.
- It can be equipped with thermal protectors and resistances as anti-condensation heaters (max. power 24W).

CERTIFICATIONS

- CE marking.
- Conformity to ATEX Standards EN 60079-0:2012, EN 60079-1:2014, EN 60079-31:2014.
- Conformity to IECEx Standards IEC 60079-0:2012, IEC 60079-1:2014, IEC 60079-31:2013.

Fill in the "request form" for accurate product configuration.




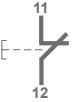
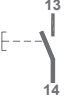
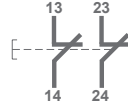
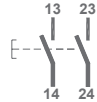
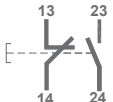
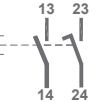
CERTIFICATIONS

Conformity to Atex Standards	EN 60079-0:2012 Explosive atmospheres – Equipment – General requirements
	EN 60079-1:2014 Explosive atmospheres – Equipment protection by flameproof enclosures “d”
	EN 60079-31:2014 Explosive atmospheres – Equipment dust ignition protection by enclosures “t”
Conformity to IECEx Standards	IEC 60079-0:2012 Explosive atmospheres – Equipment – General requirements
	IEC 60079-1:2014 Explosive atmospheres – Equipment protection by flameproof enclosures “d”
Atex Certification	ITS16ATEX101535X
IECEX Certification	ITS 16.0070X
Atex Protection Type	II 2 G Ex db IIC T6 Gb
	II 2 D Ex tb IIIC T85°C Db
	Tamb: -20°C / +60°C
IECEX Protection Type	Ex db IIC T6 Gb
	Ex tb IIIC T85°C Db
	Tamb: -20°C/+60°C
Markings and homologations	CE  IEC IECEx

GENERAL TECHNICAL SPECIFICATIONS

Operational ambient temperature	-20°C/+60°C
	-50°C/+60°C (for EAC certified versions)
IP protection degree	IP 65
Cable entry*	M25 x 1.5
	M32 x 1.5

TECHNICAL SPECIFICATIONS OF THE SWITCHES

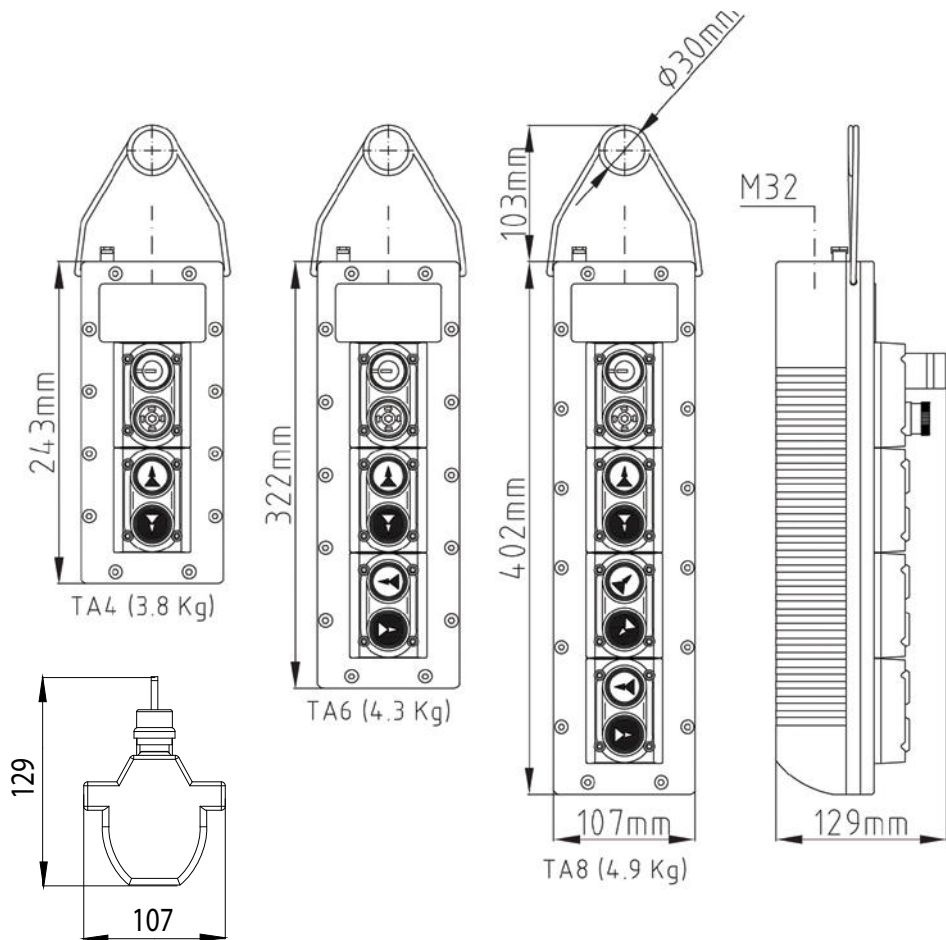
Rated operational current	Max 250 Vdc / 1.1 A					
	Max 240 Vac / 3 A					
Rated frequency	50/60 Hz					
Wires	Min 0.75 mm ² - Max 2 mm ² (ATEX and IEC Ex)					
Anti-moisture heater (optional)	Maximum power 24W					
Switch type	1 speed	1 speed	1 speed	1 speed	1 speed	2 speeds
Contacts	1NC (positive opening operation NC contacts )	1NO	2NC (positive opening operation NC contacts )	2NO	1NO+1NC (positive opening operation NC contacts )	2NO
Scheme						
Markings and homologations	CE					

* Threading must guarantee minimum 5 complete threads.

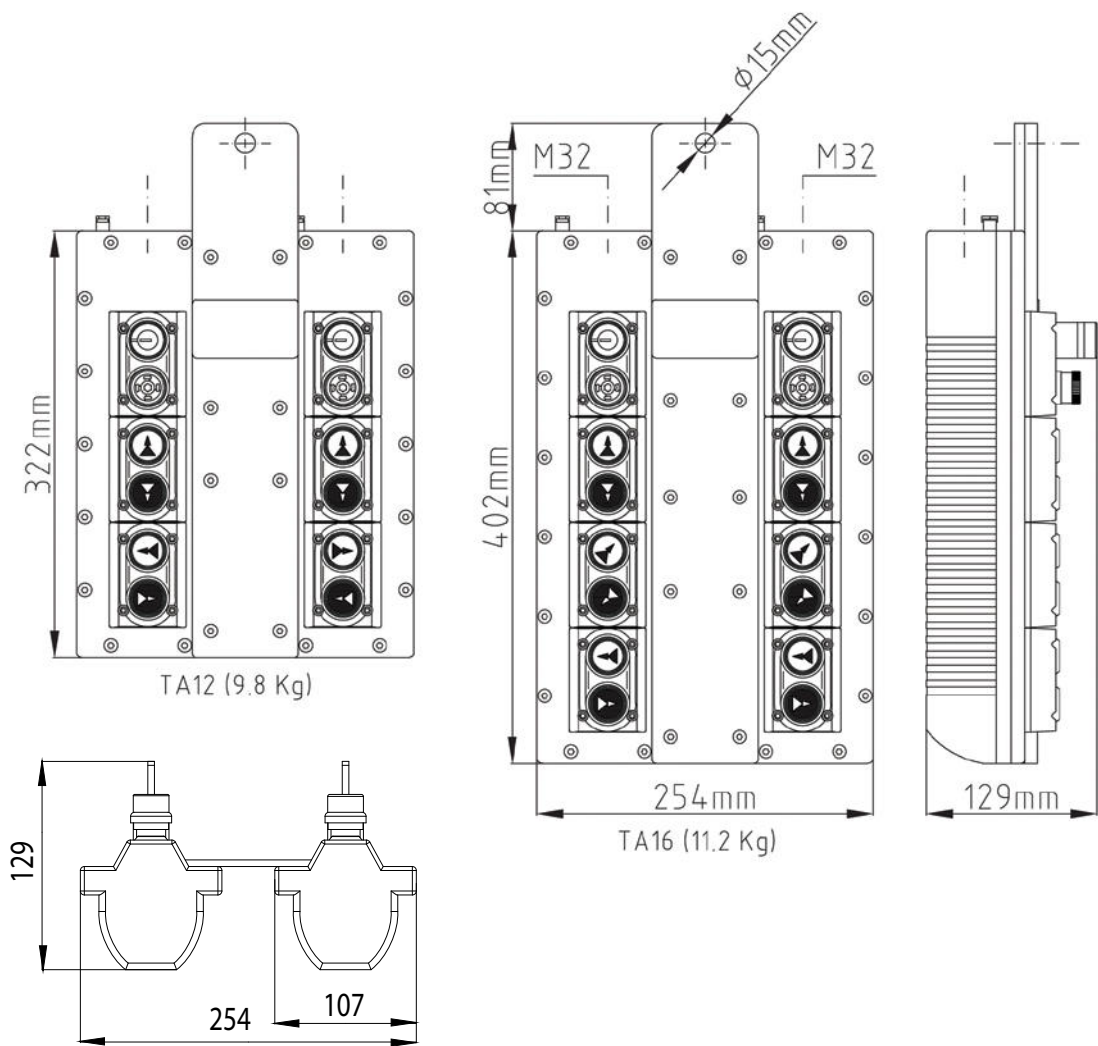
All the devices for cable entry (conduits, cable glands, adapters) must be certified with minimum certification level as per valid certification of the pendant station.

OVERALL DIMENSIONS (mm)

Simple



Double



MIKE-X - REQUEST FORM FOR CONTROL STATION

Instructions

Fill in the chart to the left according to the following instructions:

- 1 Protection:** tick the box to accept the type of protection provided.
- 2 Control station:** tick the box corresponding to the type of control station required (simple or double).
- 3 Control elements:** in the broken-line box enter the number corresponding to the control element required (1 to 25).
If you choose **buttons with arrows**, enter the direction of the arrow into the corresponding box. Eg. ↗
ATTENTION: buttons with opposite functions (eg.: up/down) must be vertically coupled in columns and they are provided with mechanical interlock.
- 4 Switches:** enter the number corresponding to the switch required (30 to 35).
- 5 Cable entry:** tick the box corresponding to the type of cable entry required.
- 6 Options:** tick the box corresponding to the options you may require.

1 Protection

Tick the box to accept the type of protection provided.

ATEX	II 2 G Ex db IIC T6 Gb
	II 2 D Ex tb IIIC T85°C Db
IECEX	Ex db IIC T6 Gb
	Ex tb IIIC T85°C Db

2 Control station

4 - 8 actuators: simple control station

12 - 16 actuators: double control station

3 Control elements

1 Emergency stop mushroom pushbutton

2 Selector switch - 2 maintained positions 0/1

3 Key selector switch - 3 positions 1/0/2
1/0 key removable - 0 key not removable, without microswitch activation - 0/2 microswitch activation

<input type="checkbox"/> 4	<input type="checkbox"/> 8	<input type="checkbox"/> 12	<input type="checkbox"/> 16	<input type="checkbox"/> 20	<input type="checkbox"/> 24
<input type="checkbox"/> 5	<input type="checkbox"/> 9	<input type="checkbox"/> 13	<input type="checkbox"/> 17	<input type="checkbox"/> 21	<input type="checkbox"/> 25
<input type="checkbox"/> 6	<input type="checkbox"/> 10	<input type="checkbox"/> 14	<input type="checkbox"/> 18	<input type="checkbox"/> 22	
<input type="checkbox"/> 7	<input type="checkbox"/> 11	<input type="checkbox"/> 15	<input type="checkbox"/> 19	<input type="checkbox"/> 23	

4 Switches

<input type="checkbox"/> 30 1NC - 1 speed	<input type="checkbox"/> 33 2NO - 1 speed
<input type="checkbox"/> 31 1NO - 1 speed	<input type="checkbox"/> 34 1NO+1NC - 1 speed
<input type="checkbox"/> 32 2NC - 1 speed	<input type="checkbox"/> 35 2NO - 2 speeds

5 Cable entry

M25 x 1.5 M32 x 1.5

6 Options

Anti-condensation heater

