

ARKE

Position limit switch



New position limit switch designed to control the movement of overhead travelling cranes, hoists and machine tools. Sturdy and reliable, Arke is particularly suitable for use in harsh operating conditions.

FEATURES

- Designed to guarantee excellent performance in the most challenging operating conditions.
- 2 fixing holes.
- Positive opening NC contacts for safety functions.
- Mechanical life of switches: 2 million operations.
- IP protection degree: Arke is classified IP65 / IP66 / IP67 with dedicated cable gland M20.
- NEMA protection degree: Arke is classified Type 1.
- Extreme temperature resistance: -53°C to +80°C.
- Aluminium rods with 6x8 mm section, enclosure and head in thermoplastic material.
- All materials and components used are wear resistant and guarantee protection of the unit against water and dust.




OPTIONS

- Cross rods with 4 maintained positions every 90°, cross or T rods with 3 maintained position every 90°, single rod or rod with roller with 65° spring return movements.
- 2 slow action switches with 1NC+1NC staggered contacts, 2 slow action switches with 1NO+1NC contacts, or snap action switches with 1NC+1NC contacts
- 3 outputs for cable glands to reduce installation time and make wiring easier.

CERTIFICATIONS

- CE marking, UKCA marking and cULus marking.




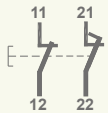
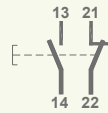
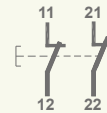



CERTIFICATIONS

Conformity to Community Directives	2014/35/UE Low Voltage Directive
	2006/42/CE Machinery Directive
Conformity to UKCA Directives	Supply of Machinery (Safety) Regulations 2008
	Electrical Equipment (Safety) Regulations 2016
Conformity to CE Standards	EN 60204-1 Safety of machinery - Electrical equipment of machines
	EN 60947-1 Low-voltage switchgear and controlgear
	EN 60947-5-1 Low-voltage switchgear and controlgear - Control circuit devices and switching elements - Electromechanical control circuit devices
Conformity to cULus Standards	EN 60529 Degrees of protection provided by enclosures
	CSA-C22.2 No 14-18 Industrial Control Equipment
Markings and homologations	UL 508 Industrial Control Equipment
	  

GENERAL TECHNICAL SPECIFICATIONS

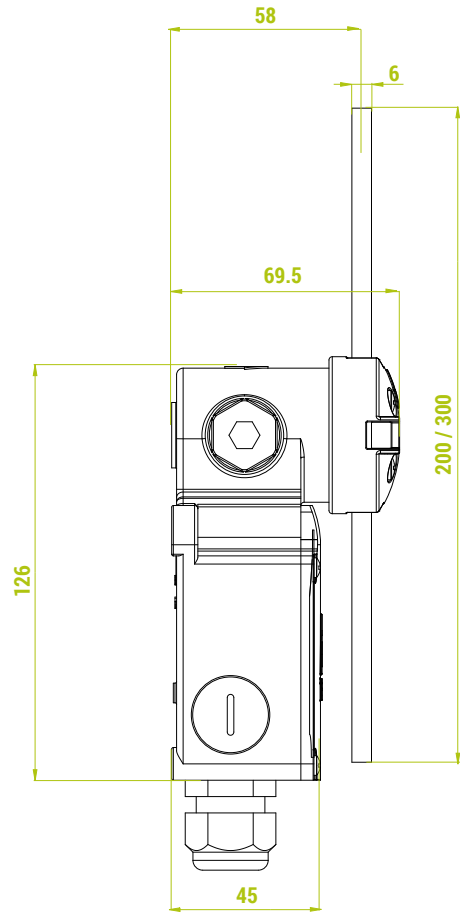
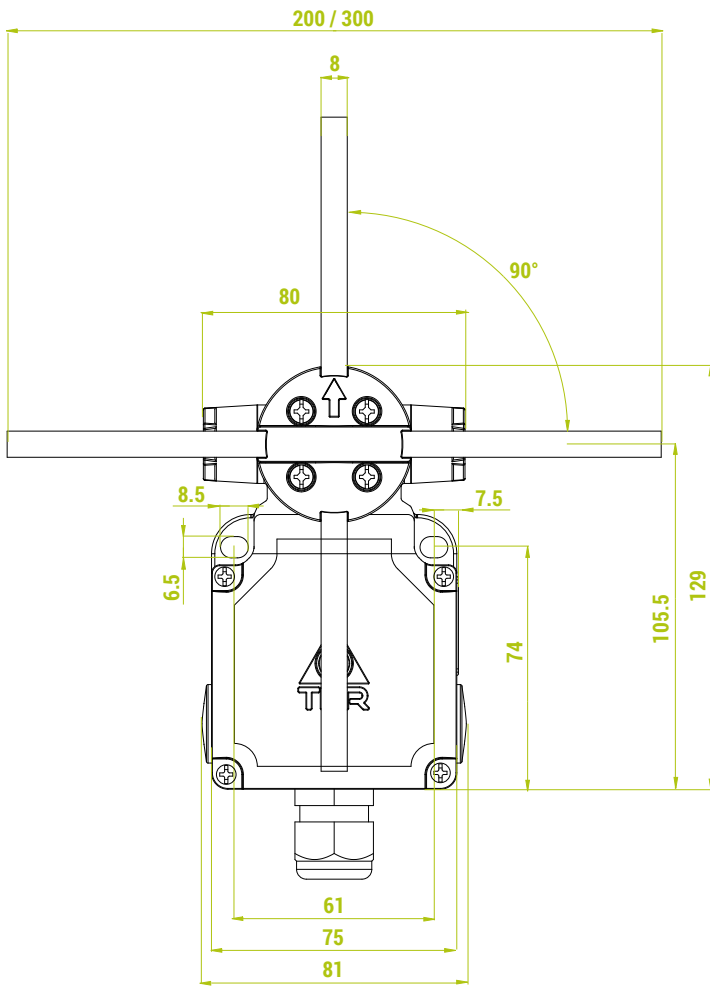
Ambient temperature	Storage -53°C/+80°C
	Operational -53°C/+80°C
IP protection degree	IP65 / IP66 / IP67 with dedicated cable gland M20
NEMA protection degree	Type 1
Insulation category	Class II
Maximum operation speed	3 m/s
Mechanical life	1.5x10 ⁶ operations
Cable entry	Cable gland M20

TECHNICAL SPECIFICATIONS OF THE SWITCHES

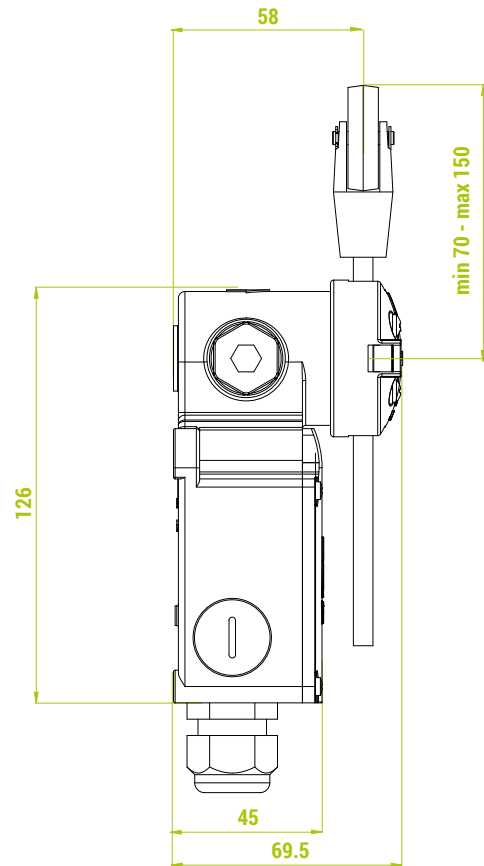
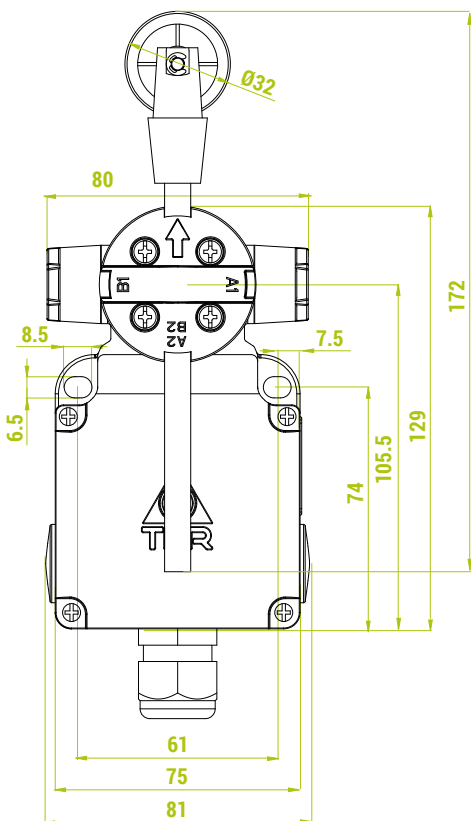
Code	PRSL1650XX	PRSL1652XX	PRSL1657XX
Utilisation category		AC 15	
Rated operational current		6 A	
Rated operational voltage		250 Vac	
Rated thermal current		10 A	
Rated insulation voltage		500 Vac	
Mechanical life		2x10 ⁶ operations @ 2 A / 240 Vac	
Connections		Screw-type terminals	
Wires		1x1.5 mm ² , 2x2.5 mm ²	
Tightening torque		0.8 Nm	
Switch type	Double break, slow action	Double break, slow action	Double break, snap action
Contacts	1NC+1NC staggered (All NC contacts are of the positive opening operation type )	1NO+1NC (All NC contacts are of the positive opening operation type )	1NC+1NC (All NC contacts are of the positive opening operation type )
Scheme			
Markings and homologations		  	

OVERALL DIMENSIONS (mm)

With cross rods



With rod and roller

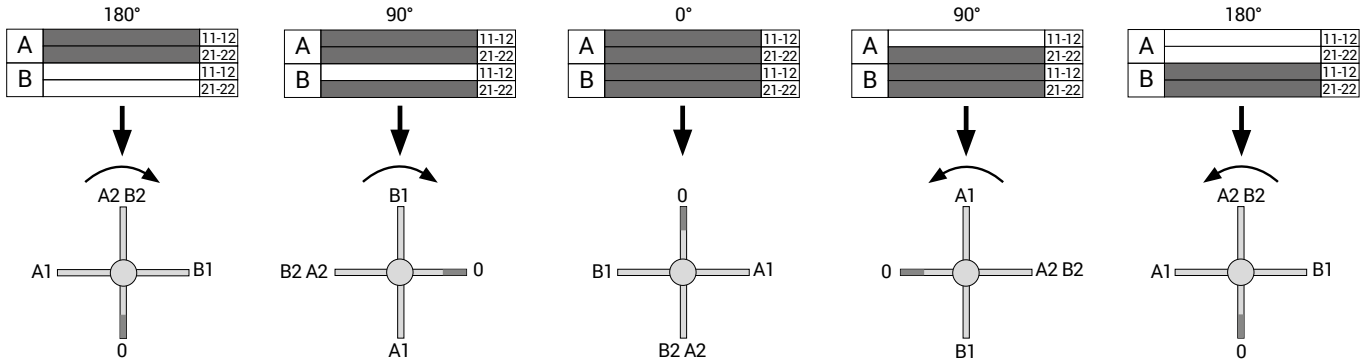


STANDARD LIMIT SWITCHES

4 maintained positions

Description	Rods	Code
4 maintained positions - stop at 180° in each direction	Cross rods 2 x 200 mm	F201110001
4 maintained positions - free rotation	Cross rods 2 x 200 mm	F201120001

Actuating travel



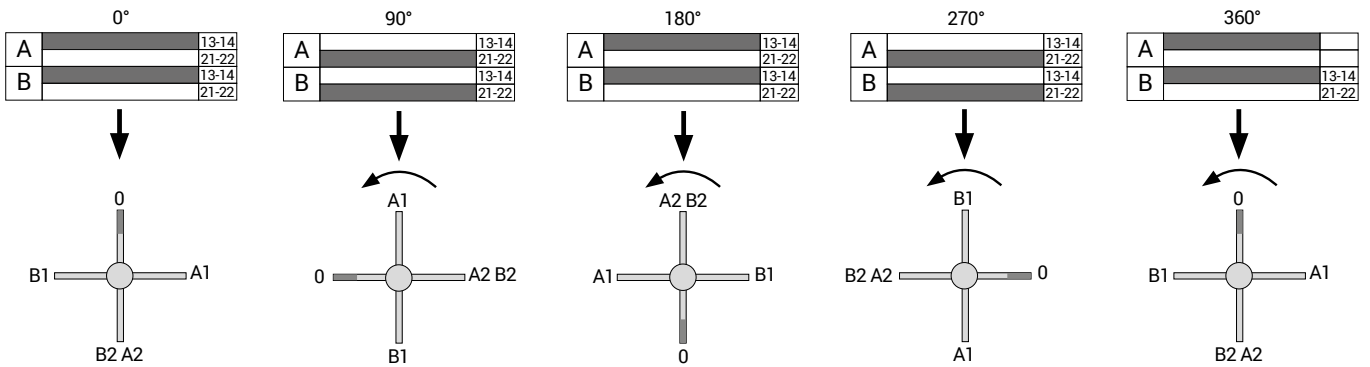
The limit switches are equipped with switches PRSL1650XX with 1NC+1NC staggered contacts



Other configurations are available on request.

Description	Rods	Code
4 maintained positions - free rotation	Cross rods 2 x 200 mm	F201110016

Actuating travel



The limit switches are equipped with switches PRSL1652XX with 1NO+1NC contacts



Other configurations are available on request.

3 maintained positions

Actuating travel	Rods	Code
	<p>Cross rods 2 x 200 mm</p>	F201110002
	<p>T rods 1 x 200 mm 1 x 300 mm</p>	F201110006

The limit switches are equipped with switches PRSL1652XX with 1NO+1NC contacts .
Other configurations are available on request.

Actuating travel	Rods	Code
	<p>Cross rods 2 x 200 mm</p>	F201110005

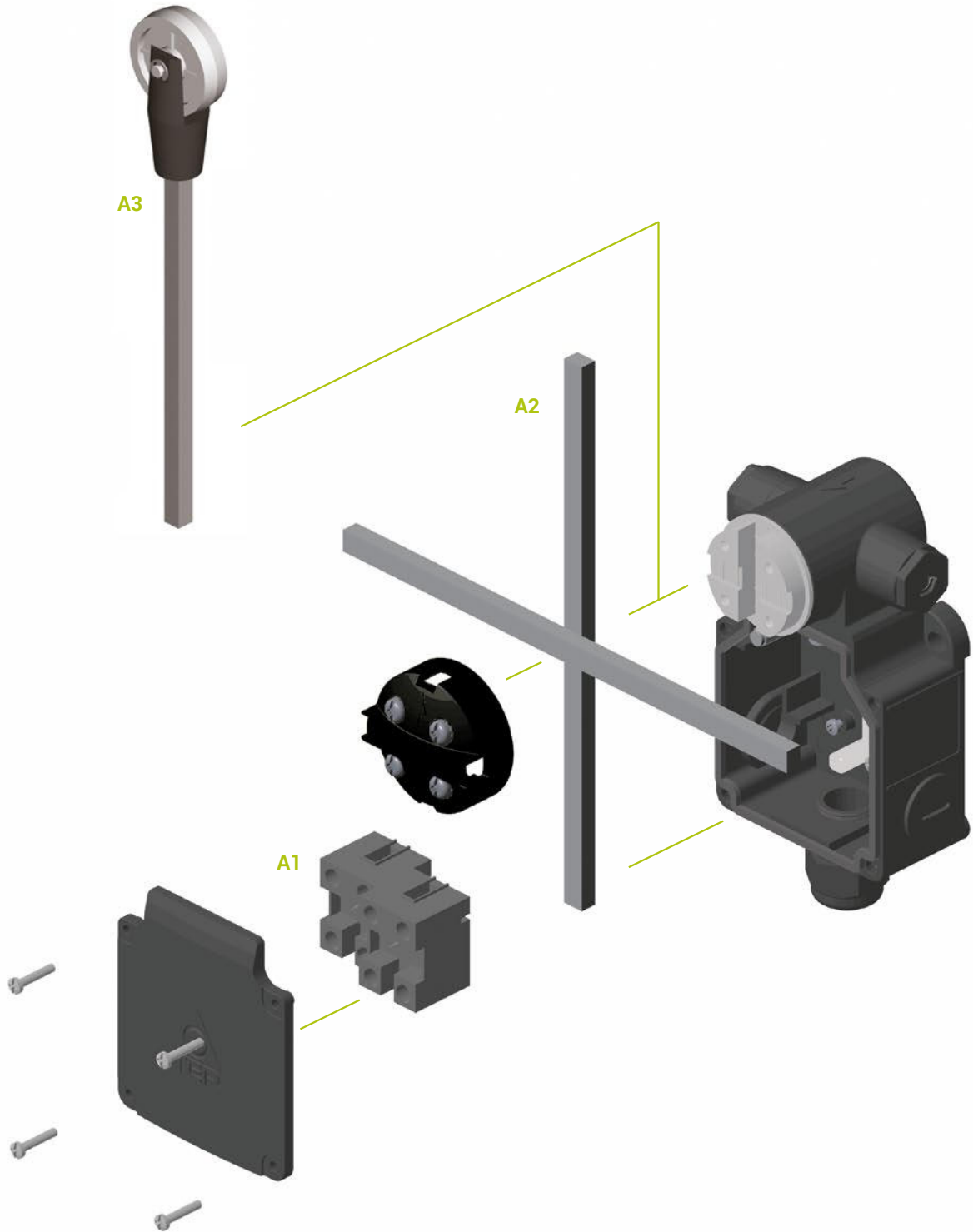
The limit switches are equipped with switches PRSL1652XX with 1NO+1NC contacts .
Other configurations are available on request.

Spring return

Actuating travel	Rods	Code
	<p>Rod with roller</p>	F202210001

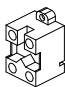
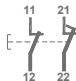
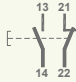
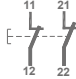
The limit switches are equipped with switches PRSL1652XX with 1NO+1NC contacts .
Other configurations are available on request.

ASSEMBLY DRAWING



COMPONENTS

Switches

Ref.	Drawing	Description	Scheme	Code
A1		1NC+1NC staggered slow action switch		PRSL1650XX
		1NO+1NC slow action switch		PRSL1652XX
		1NC+1NC snap action switch		PRSL1657XX

Accessories

Ref.	Drawing	Description	Code
A2		Aluminium rod 8x6x200 mm	PRT03044PE
		Red aluminium rod 8x6x200 mm	PRT03022PE
		Aluminium rod 8x6x300 mm	PRT03047PE
		Red aluminium rod 8x6x300 mm	PRT03048PE
A3		Aluminium rod 8x6x130 mm with roller	PRSL3000PI

