

10A

Slip ring collector



Slip ring collector consisting of rings coupled with brushes, designed for small jib cranes. Compact sized and equipped with 4 rings.

FEATURES

- Suitable for transmitting current with 50/60 Hz supply frequency.
- Suitable for transmitting audio, RS485 or CAN signals.
- Extreme temperature resistance: -25°C to +70°C.

OPTIONS

- Available with driving slots.
- Available with coupling flange.

CERTIFICATIONS

- CE marking.

CERTIFICATIONS

Conformity to Community Directives	2014/35/UE Low Voltage Directive
	2006/42/CE Machinery Directive
Conformity to CE Standards	EN 60204-1 Safety of machinery - Electrical equipment of machines
	EN 60309-1 Plugs, socket-outlets and couplers for industrial purposes - General requirements
	EN 60529 Degrees of protection provided by enclosures
Markings and homologations	CE

GENERAL TECHNICAL SPECIFICATIONS

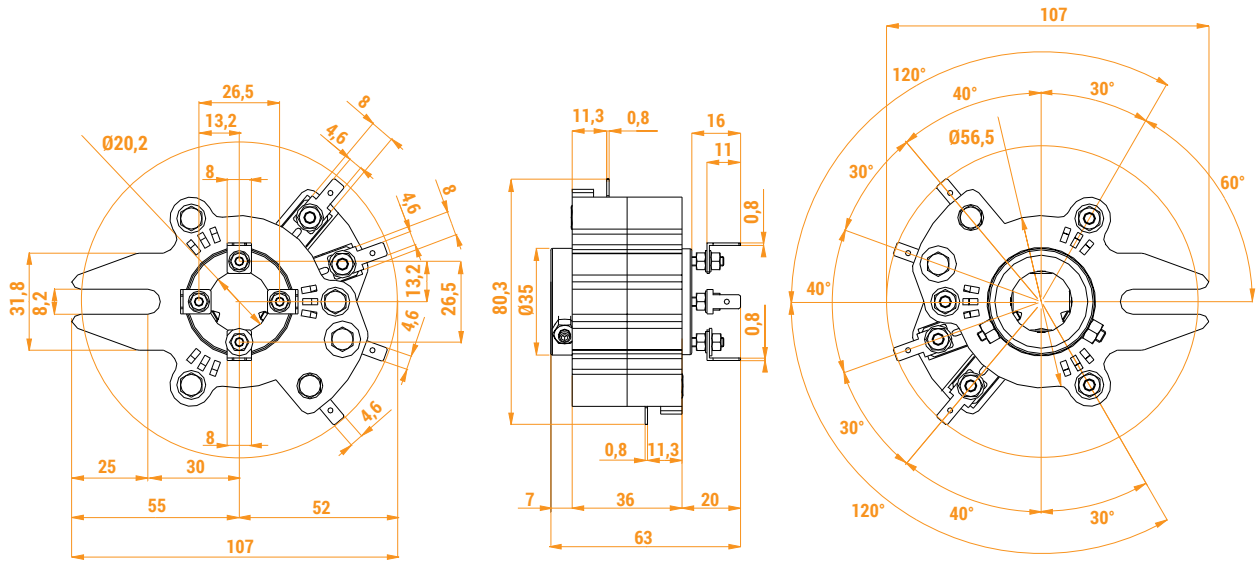
Ambient temperature	Storage -40°C/+70°C
	Operational -25°C/+70°C
IP protection degree	IP 00
Insulation category	Class I
Operating positions	Any position

ELECTRICAL SPECIFICATIONS

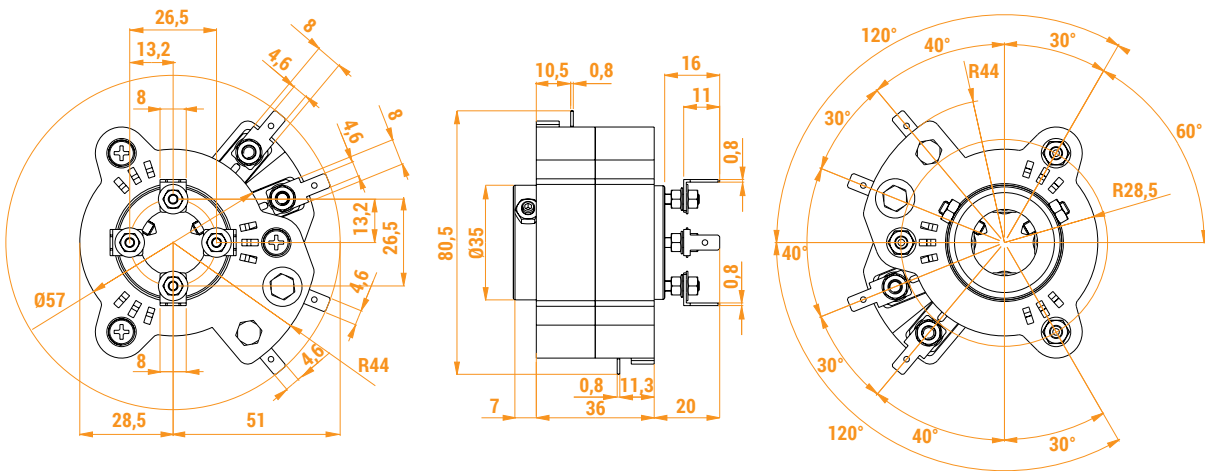
Rated operational current	20 A
Rated operational voltage	400 Vac
Rated insulation voltage	660 Vac
Max. speed	3 rpm
Connections	Faston 6.3 mm
Signals	Audio
	RS-485 - 57.6 Kbaud max
	CAN - 1 Mb max

OVERALL DIMENSIONS (mm)

With driving slot



Without driving slot



Slip ring collector with Ø40 x 30 mm flange

